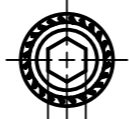


09401242443
XXXXXXXXXX
Type 4/12 enclosure



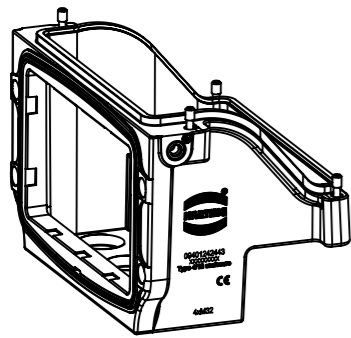
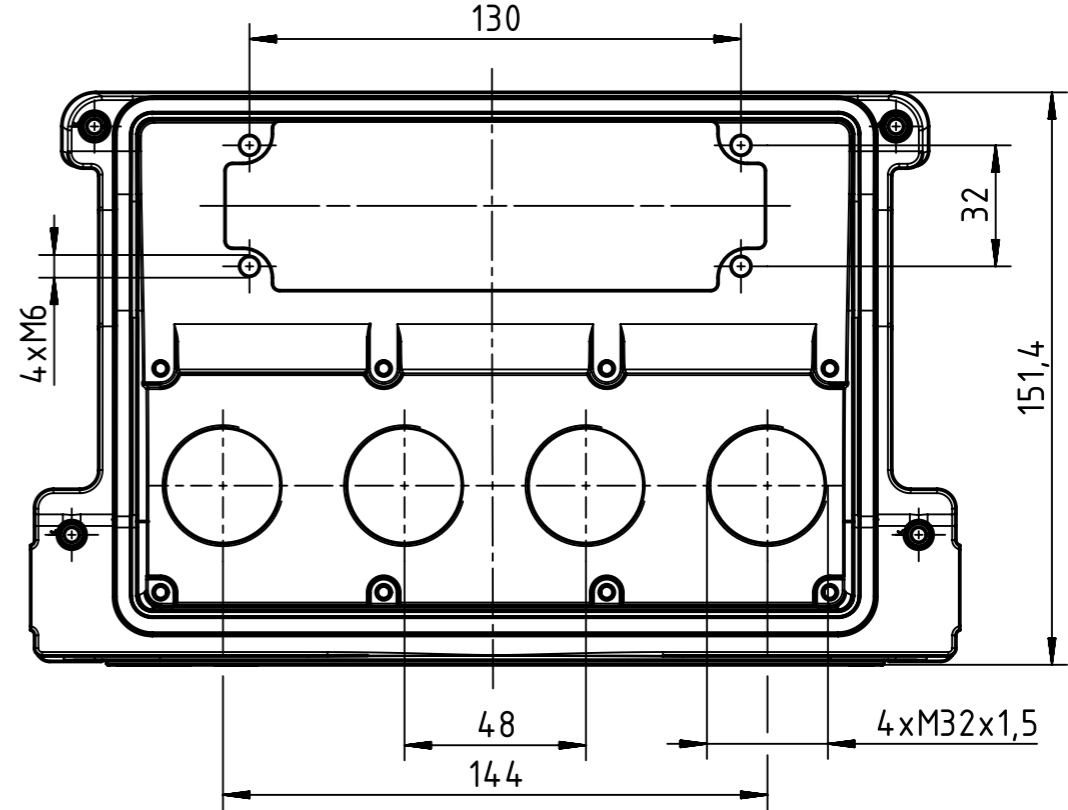
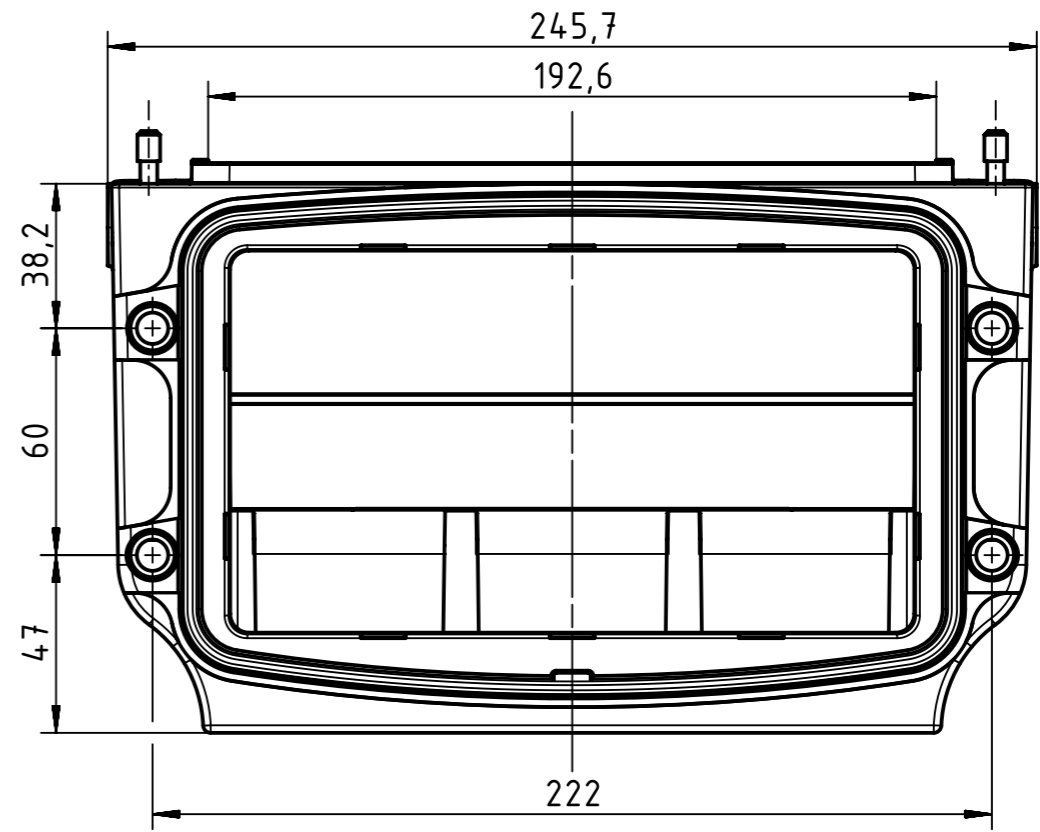
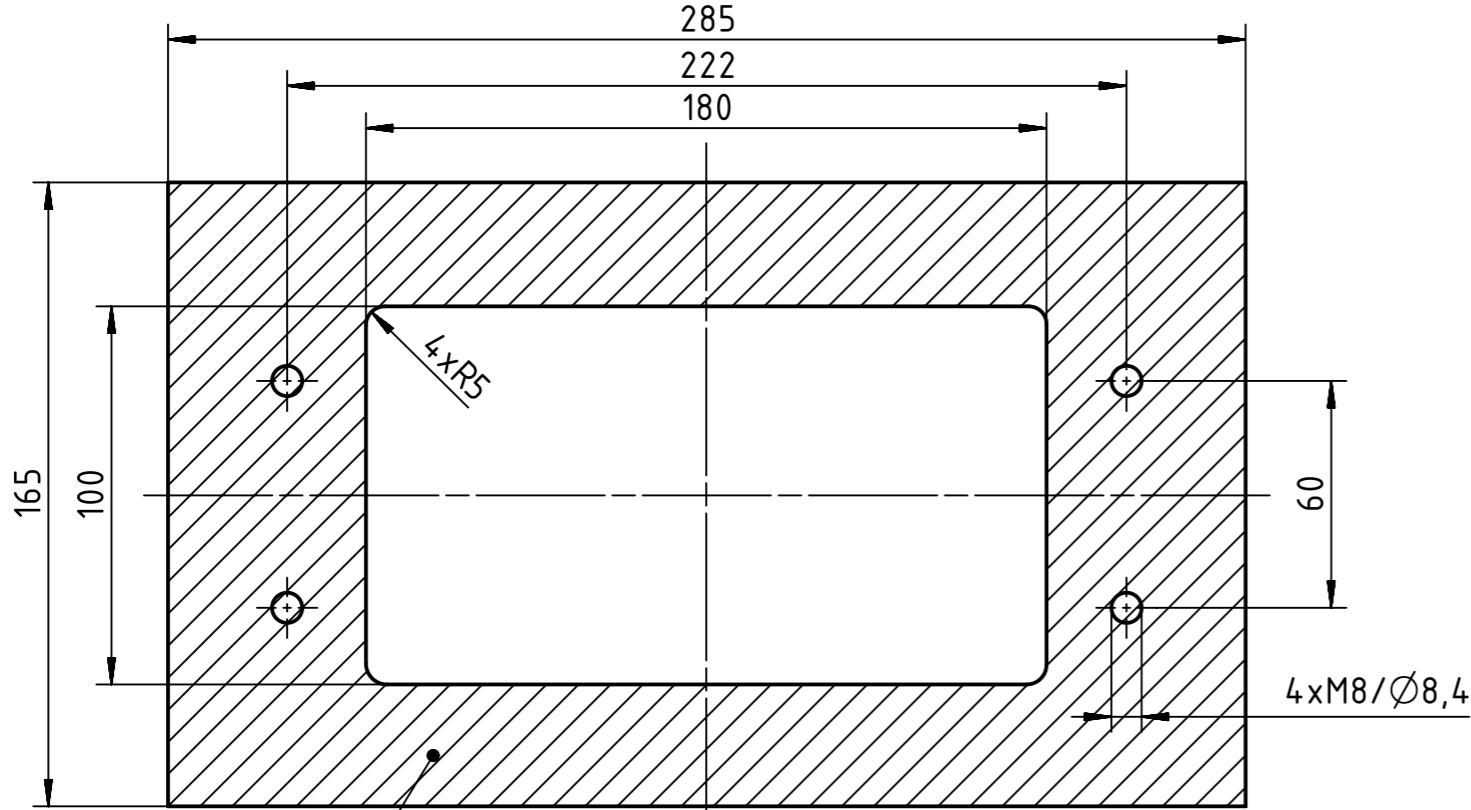
4xM32

F (1:1)



SW5

Panel cut out



Mounting area:
Waviness: $\leq 0,2\text{mm}$ (in combination with mounting frame: $\leq 0,5\text{mm}$)
Roughness: $\leq \text{Ra}16\mu\text{m}$

	All Dimensions in mm Original Size DIN A3		Scale 1:2	Free size tol.		Ref.
						Sub.
	All rights reserved		Created by LONGL	Inspected by WENE	Standardisation GARSKE	Date 2020-05-15
	Department EL PD		Title Han 24HPR VarioShell-HBMA-SCL-4xM32		State Final Release	
HARTING Electric GmbH & Co. KG D-32339 Espelkamp			Type TB	Number 09 40 124 2443		Doc-Key / ECM-Nr. 100843055/UGD/000/A 500000173009
					Rev. A	Page 1/1