

1 2 3 4 5 6

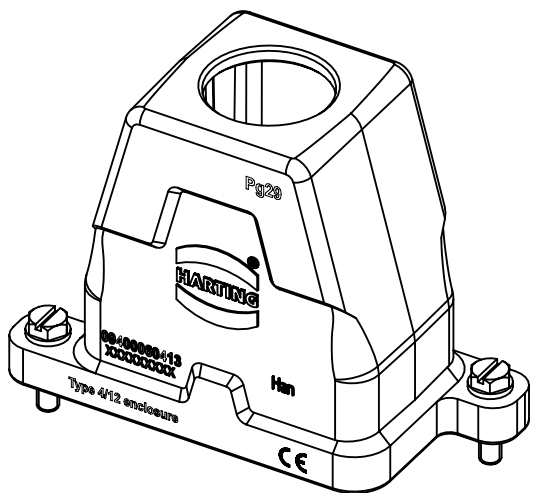
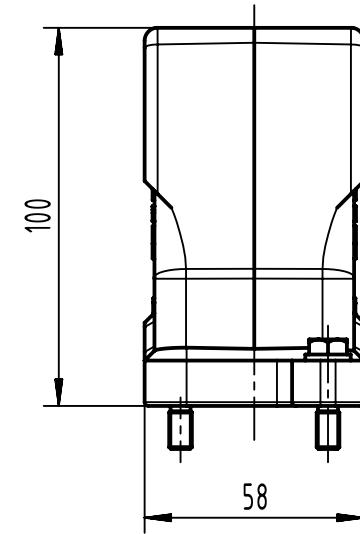
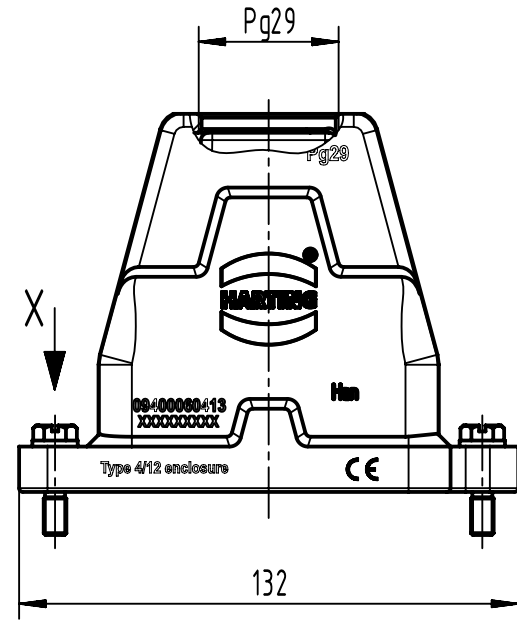
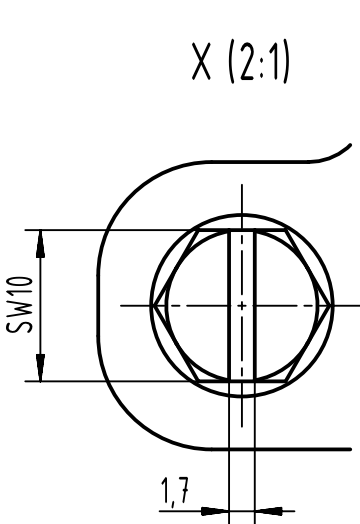
A

B

C

D

X (2:1)



|                              |  |   |                       |                 |                 |                     |  |
|------------------------------|--|---|-----------------------|-----------------|-----------------|---------------------|--|
|                              | All Dimensions in mm<br>Original Size DIN A4 | Scale 1:2                                     |                       | Free size tol.  |                 | Ref.                |  |
|                              |  |   |                       |                 |                 | Sub.                |  |
|                              | All rights reserved<br>Department EL PD      | Created by SPRENB                             | Inspected by GERB     | Standardisation | Date 2021-09-10 | State Final Release |  |
|                              |  | Title Han 6HPR Hood Top Entry PG29 Screw lock |                       |                 |                 |                     | Doc-Key / ECM-Nr.<br>100208601/UGD/004/D<br>500000201415 |
| HARTING<br>D-32339 Espelkamp |  | Type TB                                       | Number 09 40 006 0413 |                 |                 | Rev. D              | Page 1/1   |